

VXC "VORTEX"

Submersible pumps

for sewage water



PERFORMANCE RANGE

- Flow rate up to **500 l/min** (30 m³/h)
- Head up to **15 m**

APPLICATION LIMITS

- **10 m** maximum immersion depth
- Maximum liquid temperature **+40 °C**
- Solids passage:
 - up to **Ø 40 mm** for VXC 8-10-15/35
 - up to **Ø 50 mm** for VXC 8-10-15/45
- Minimum immersion depth for continuous service:
 - **290 mm** for VXC 8-10-15/35
 - **320 mm** for VXC 8-10-15/45

CONSTRUCTION AND SAFETY STANDARDS

- Complete with **10 m** long power cable
- Float switch for single-phase versions

EN 60034-1
IEC 60034-1
CEI 2-3



CERTIFICATIONS



INSTALLATION AND USE

VXC series pumps, made from heavy gauge cast iron offering exceptional sturdiness and abrasion resistance, come equipped with a VORTEX impeller and are therefore suitable for draining **waste water containing suspended solids, sewage and water mixed with mud.**

PATENTS - TRADE MARKS - MODELS

- Registered Community Design n° 342159-0017

OPTIONALS AVAILABLE ON REQUEST

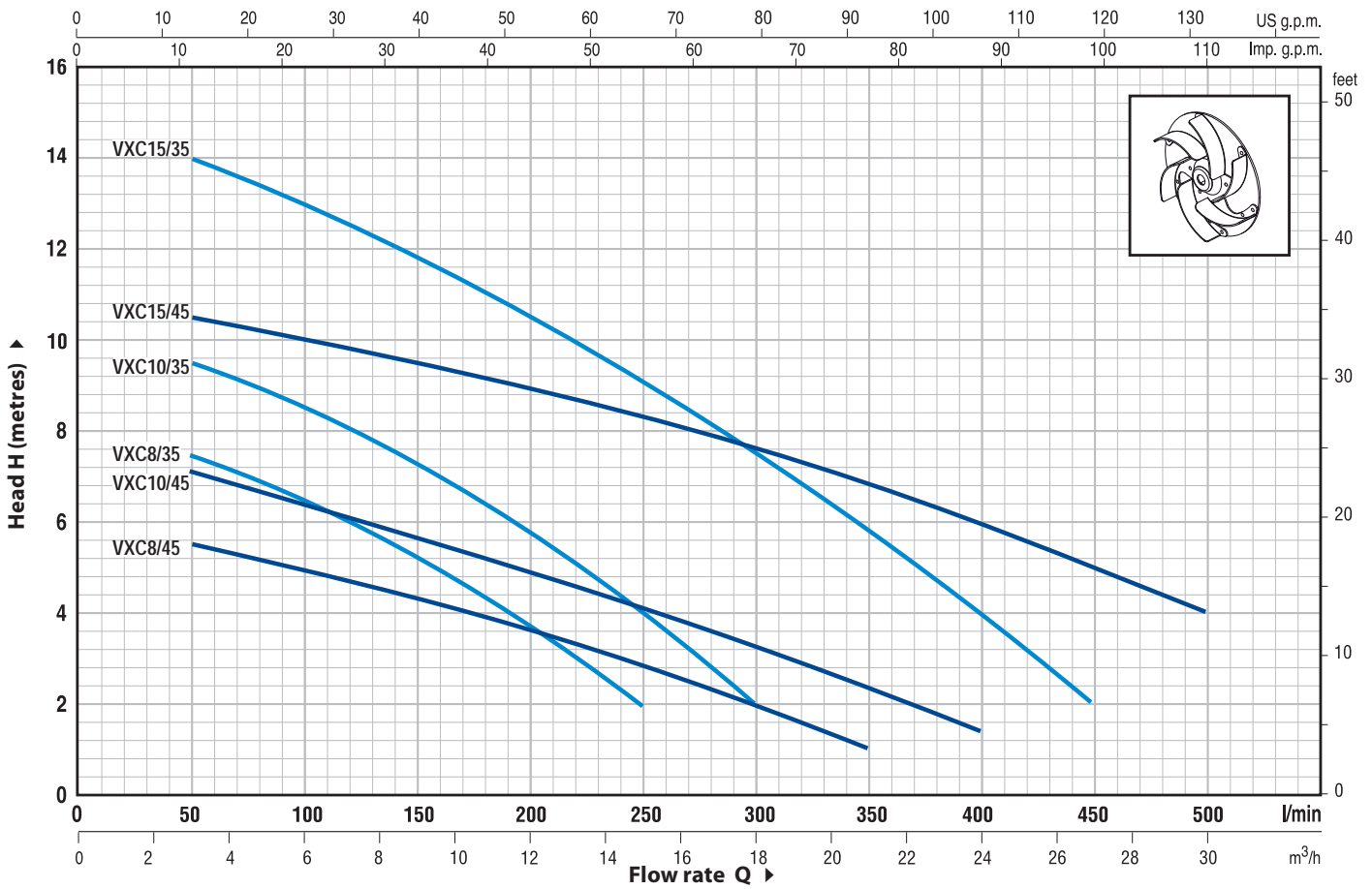
- Single-phase pumps without float switch
- Other voltages or 60 Hz frequency

GUARANTEE

2 years subject to terms and conditions

CHARACTERISTIC CURVES AND PERFORMANCE DATA

50 Hz n= 2900 1/min

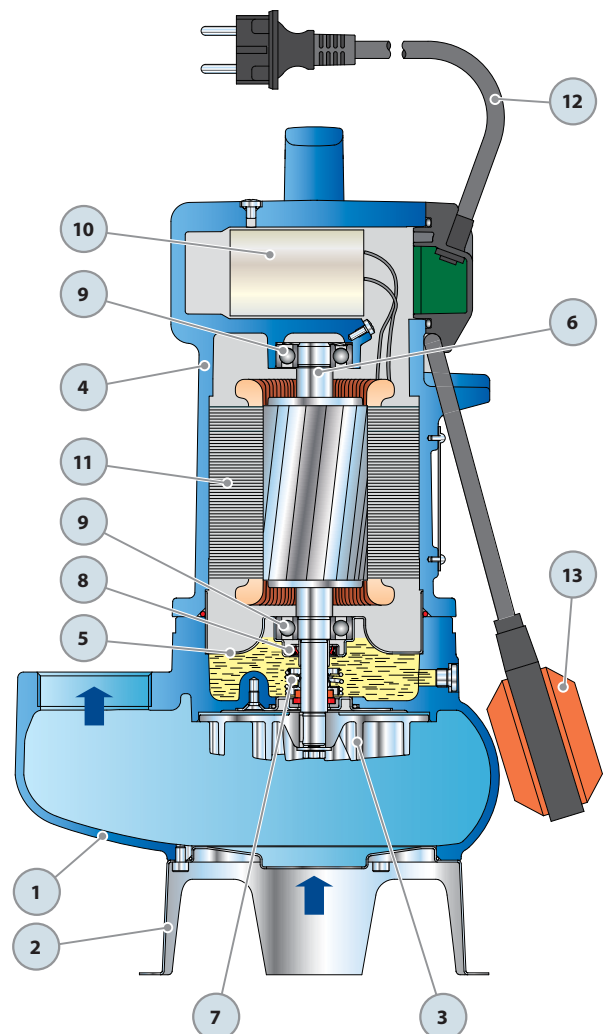


MODEL		POWER		Q	Flow rate														
Single-phase	Three-phase	kW	HP		m³/h	0	3	6	9	12	15	18	21	24	27	30			
				l/min	0	50	100	150	200	250	300	350	400	450	500				
VXCm 8/35	–	0.55	0.75	H metres	8.4	7.5	6.5	5.2	3.7	2									
VXCm 10/35	VXC 10/35	0.75	1		10	9.5	8.5	7.2	5.8	4	2								
VXCm 15/35	VXC 15/35	1.1	1.5		15	14	13	11.8	10.5	9	7.5	6	4	2					
VXCm 8/45	–	0.55	0.75		6	5.5	5	4.4	3.6	2.8	2	1							
VXCm 10/45	VXC 10/45	0.75	1		7.5	7	6.5	5.8	5	4	3.2	2.4	1.5						
VXCm 15/45	VXC 15/45	1.1	1.5		11	10.5	10	9.5	9	8.3	7.5	6.8	6	5	4				

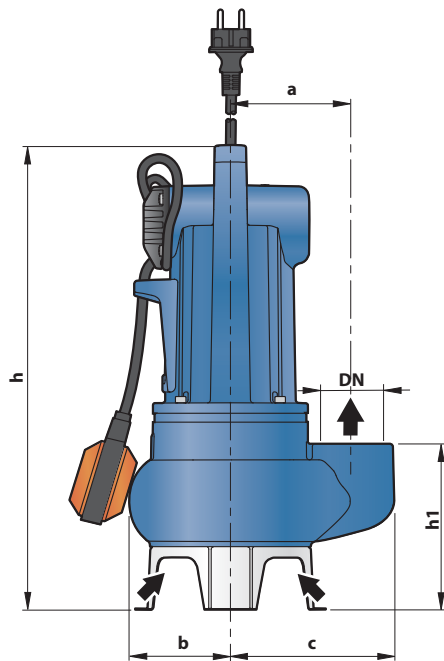
Q = Flow rate H = Total manometric head

Tolerance of characteristic curves in compliance with EN ISO 9906 App. A.

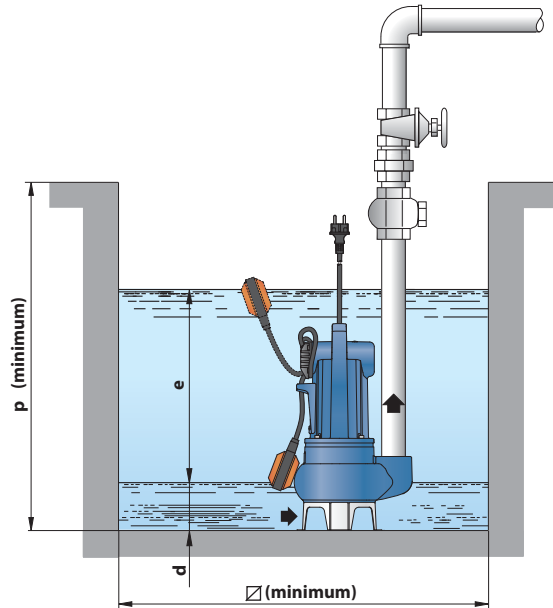
POS.	COMPONENT	CONSTRUCTION CHARACTERISTICS			
1	PUMP BODY	Cast iron, with threaded port in compliance with ISO 228/1			
2	BASE	Stainless steel AISI 304			
3	IMPELLER	Stainless steel AISI 304 VORTEX type			
4	MOTOR CASING	Cast iron			
5	MOTOR CASING PLATE	Stainless steel AISI 304			
6	MOTOR SHAFT	Stainless steel EN 10088-3 - 1.4104			
7	SHAFT WITH DOUBLE SEAL AND OIL CHAMBER				
	<i>Seal</i>	<i>Shaft</i>			
	<i>Model</i>	<i>Diameter</i>			
	<i>Stationary ring</i>	<i>Rotational ring</i>			
	<i>Elastomer</i>	<i>Materials</i>			
	MG1-14 SIC	Ø 14 mm	Ceramic	Silicon carbide	NBR
8	LIP SEAL	Ø 15 x Ø 24 x H 5 mm for VXC 8-10/35-45 Ø 16 x Ø 24 x H 5 mm for VXC 15/35-45			
9	BEARINGS	6203 ZZ / 6203 ZZ			
10	CAPACITOR				
	<i>Pump</i>	<i>Capacitance</i>			
	<i>Single-phase</i>	<i>(230 V or 240 V)</i>	<i>(110 V)</i>		
	VXCm 8/35				
	VXCm 8/45	20 µF 450 VL	30 µF 250 VL		
	VXCm 10/35				
	VXCm 10/45				
	VXCm 15/35	25 µF 450 VL	-		
	VXCm 15/45				
11	ELECTRIC MOTOR				
	<ul style="list-style-type: none"> - Single-phase 230 V - 50 Hz with thermal overload protector built-in to the winding - Three-phase 400 V - 50 Hz - Insulation: F class - Protection: IP 68 				
12	POWER CABLE				
	10 metre long "H07 RN-F" cable (with Schuko plug on single-phase versions only)				
13	FLOAT SWITCH				
	(only for single-phase versions)				



DIMENSIONS AND WEIGHT



Typical installation



MODEL		PORT DN	solids passage	DIMENSIONS mm									kg	
Single-phase	Three-phase			a	b	c	h	h1	d	e	p	Ø	1~	3~
VXCm 8/35	-	1½"	Ø 40 mm	105	92	136	385	125	50	variable	500	500	19.8	-
VXCm 10/35	VXC 10/35					143	406	130					20.0	18.3
VXCm 15/35	VXC 15/35					150	414	153					22.8	24.4
VXCm 8/45	-	2"	Ø 50 mm	110	97	157	435	159	60	variable	500	500	20.5	-
VXCm 10/45	VXC 10/45					157	435	159					20.5	18.7
VXCm 15/45	VXC 15/45					157	435	159					23.5	21.1

ABSORPTION

MODEL	VOLTAGE (single-phase)		
	230 V	240 V	110 V
Single-phase	230 V	240 V	110 V
VXCm 8/35	3.3 A	3.3 A	7.6 A
VXCm 10/35	5.0 A	5 A	11.5 A
VXCm 15/35	6.7 A	6.7 A	-
VXCm 8/45	3.5 A	3.5 A	8.0 A
VXCm 10/45	5.0 A	5.0 A	11.5 A
VXCm 15/45	7.1 A	7.1 A	-

MODEL	VOLTAGE (three-phase)			
	230 V	400 V	240 V	415 V
Three-phase	230 V	400 V	240 V	415 V
VXC 10/35	3.6 A	2.1 A	3.6 A	2.1 A
VXC 15/35	5.4 A	3.1 A	5.4 A	3.1 A
VXC 10/45	6.6 A	2.1 A	6.6 A	2.1 A
VXC 15/45	5.4 A	3.1 A	5.4 A	3.1 A

PALLETIZATION

MODEL		GROUPAGE			CONTAINER				
Single-phase	Three-phase	n° pumps	H (mm)	kg		n° pumps	H (mm)	kg	
				1~	3~			1~	3~
VXCm 8/35	-	45	1400	908	-	60	1820	1205	-
VXCm 10/35	VXC 10/35	45	1400	917	838	60	1820	1217	1112
VXCm 15/35	VXC 15/35	45	1574	1042	935	60	2052	1384	1241
VXCm 8/45	-	45	1400	942	-	60	1820	1250	-
VXCm 10/45	VXC 10/45	45	1400	940	859	60	1820	1247	1140
VXCm 15/45	VXC 15/45	45	1574	1076	967	60	2052	1429	1283

