

## Submersible DRAINAGE pumps

for clear water



### PERFORMANCE RANGE

- Flow rate up to **300 l/min** (18 m<sup>3</sup>/h)
- Head up to **20 m**

### APPLICATION LIMITS

- Immersion depth:
  - **1.5 m** with 5 m long power cable for RX 1-2-3
  - **5 m** with 10 m long power cable
  - **10 m** with a sufficiently long power cable
- Maximum liquid temperature **+50 °C**  
(Maximum liquid temperature +90 °C for a maximum of 3 minutes intermittent service)
- Passage of suspended solids up to **Ø 10 mm**
- Suction level:
  - **14 mm** above ground level for RX 1-2-3
  - **25 mm** above ground level for RX 4-5
- Continuous service **S1**

### CONSTRUCTION AND SAFETY STANDARDS

Complete with:

- **5 m** long power cable for RX1-2-3
- **10 m** long power cable for RX 4-5
- float switch for single-phase versions

EN 60335-1  
IEC 60335-1  
CEI 61-150

EN 60034-1  
IEC 60034-1  
CEI 2-3



### CERTIFICATIONS



### INSTALLATION AND USE

The **RX** series pumps are suitable for use with **clear water** that does not contain abrasive particles.

As a result of the design solutions that have been adopted, such as the complete cooling of the motor and the shaft with double seal, these pumps are easy to use and reliable.

They are suitable for use in fixed installations and applications such as draining small flooded areas (rooms, cellars, garages) in the event of an emergency, for the disposal of waste water in the home (from dishwashers, washing machines) and for emptying drainage traps.

### PATENTS - TRADE MARKS - MODELS

- Registered Community Design n° 342159-0013 (RX 1-2-3)

### OPTIONALS AVAILABLE ON REQUEST

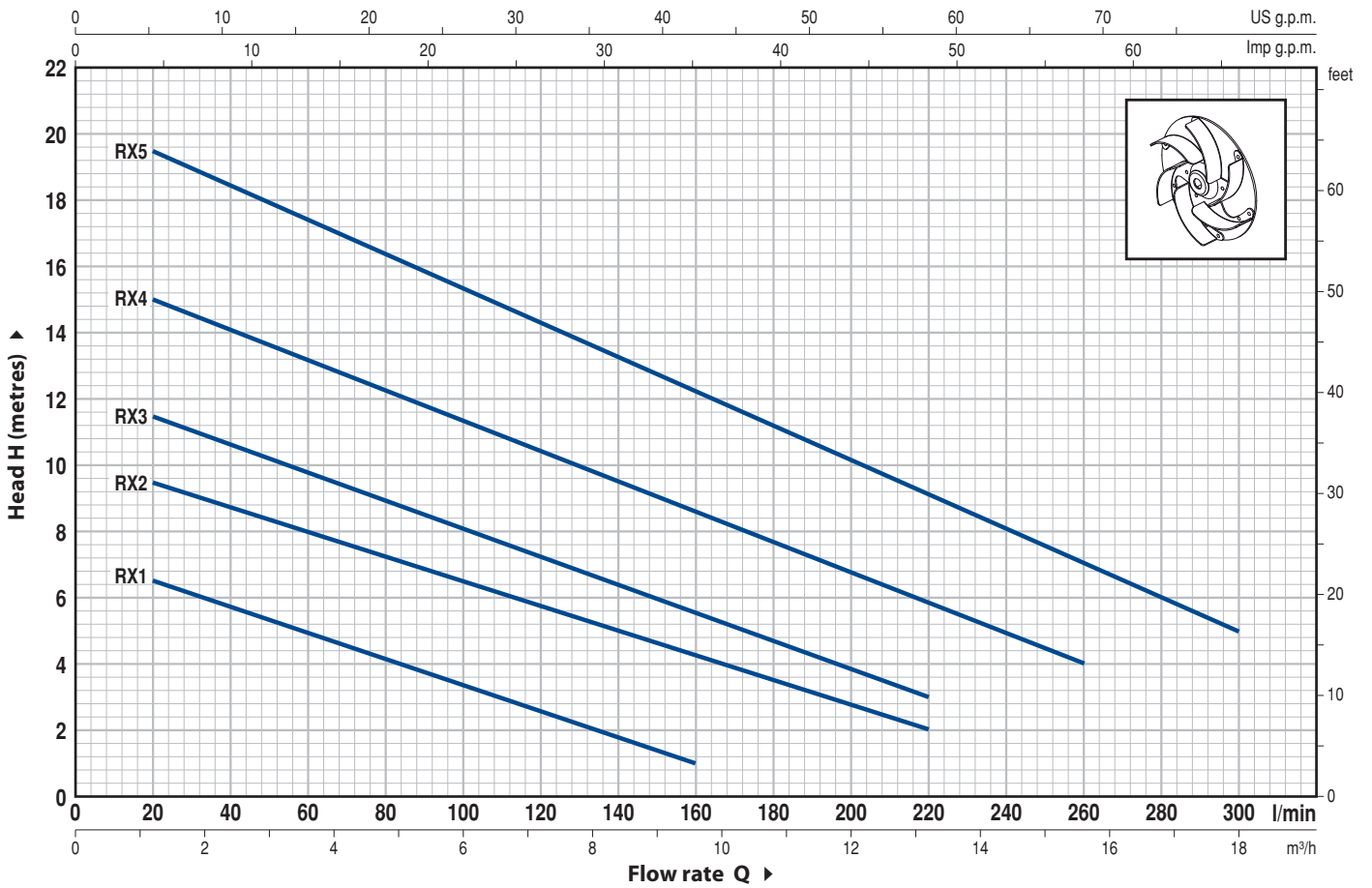
- Special mechanical seal
- RX 1-2-3 pumps with a **10 m** long power cable.
  - ➔ N.B. Standard EN 60335-2-41 states that the power cable must be 10 m long for outdoor applications
- Single-phase pumps without float switch
- Other voltages or 60 Hz frequency

### GUARANTEE

2 years subject to terms and conditions

**CHARACTERISTIC CURVES AND PERFORMANCE DATA**

**50 Hz n= 2900 1/min**



| MODEL        |             | POWER |      | Q        | Flow rate |      |      |      |      |      |     |      |      |      |      |  |  |  |
|--------------|-------------|-------|------|----------|-----------|------|------|------|------|------|-----|------|------|------|------|--|--|--|
| Single-phase | Three-phase | kW    | HP   |          | m³/h      | 0    | 1.2  | 3.6  | 6.0  | 8.4  | 9.6 | 12.0 | 13.2 | 15.6 | 18.0 |  |  |  |
|              |             |       |      | l/min    | 0         | 20   | 60   | 100  | 140  | 160  | 200 | 220  | 260  | 300  |      |  |  |  |
| RXm 1        | -           | 0.25  | 0.33 | H metres | 7.5       | 6.5  | 5    | 3.5  | 2    | 1    |     |      |      |      |      |  |  |  |
| RXm 2        | -           | 0.37  | 0.50 |          | 10        | 9.5  | 8    | 6.5  | 5    | 4.5  | 2.5 | 2    |      |      |      |  |  |  |
| RXm 3        | -           | 0.55  | 0.75 |          | 12        | 11.5 | 9.5  | 8    | 6.5  | 5.5  | 3.5 | 3    |      |      |      |  |  |  |
| RXm 4        | <b>RX 4</b> | 0.75  | 1    |          | 16        | 15   | 13   | 11.5 | 9.5  | 8.5  | 6.5 | 5.5  | 4    |      |      |  |  |  |
| RXm 5        | <b>RX 5</b> | 1.1   | 1.5  |          | 20        | 19.5 | 17.5 | 15.5 | 13.5 | 12.5 | 10  | 9    | 7    | 5    |      |  |  |  |

Q = Flow rate H = Total manometric head

Tolerance of characteristic curves in compliance with EN ISO 9906 App. A.

# RX 1-2-3

| POS. | COMPONENT                                     | CONSTRUCTION CHARACTERISTICS  |  |
|------|---|---|--|
| 1    | PUMP BODY                                     | Stainless steel AISI 304, with threaded port in compliance with ISO 228/1 |  |
| 2    | SUCTION FILTER                                | Stainless steel AISI 304  |  |
| 3    | SUCTION PLATE                                 | Stainless steel AISI 304  |  |
| 4    | IMPELLER                                      | Stainless steel AISI 304  |  |
| 5    | MOTOR CASING                                  | Stainless steel AISI 304  |  |
| 6    | MOTOR CASING PLATE                            | Stainless steel AISI 304  |  |
| 7    | MOTOR SHAFT                                   | Stainless steel EN 10088-3 - 1.4104                                       |  |
| 8    | <b>SHAFT WITH DOUBLE SEAL AND OIL CHAMBER</b> |   |  |
|      | <i>Seal</i>                                   | <i>Shaft</i>  | <i>Materials</i>   |
|      | <i>Model</i>                                  | <i>Diameter</i>   | <i>Stationary ring</i> <i>Rotational ring</i> <i>Elastomer</i> |
|      | AR-12R  | Ø 12 mm   | Ceramic Graphite NBR   |
| 9    | LIP SEAL                                      | Ø 12 x Ø 19 x H 5 mm  |  |

| 10 | BEARINGS            | 6201 ZZ / 6201 ZZ                      |
|----|---------------------|--|
| 11 | <b>CAPACITOR</b>    |  |
|    | <i>Pump</i>         | <i>Capacitance</i>                     |
|    | <i>Single-phase</i> | <i>(230 V or 240 V)</i> <i>(110 V)</i> |
|    | RXm 1               | 6.3 µF 450 VL 16 µF 250 VL             |
|    | RXm 2               | 10 µF 450 VL 16 µF 250 VL              |
|    | RXm 3               | 14 µF 450 VL 16 µF 250 VL              |

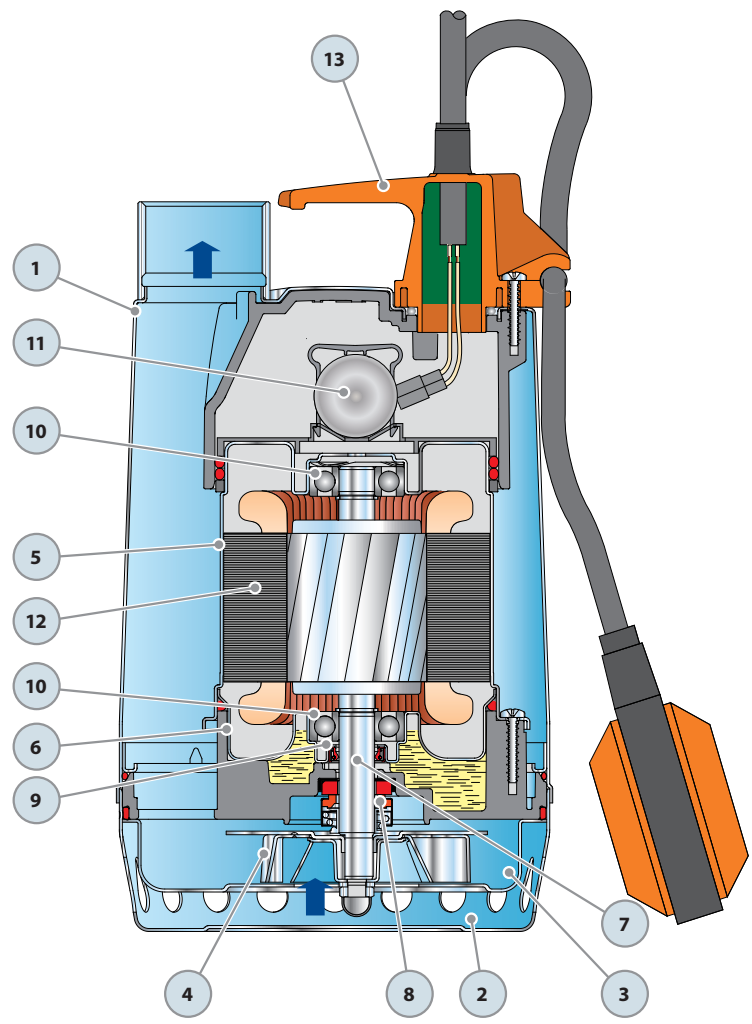
**12 ELECTRIC MOTOR**

- Single-phase 230 V - 50 Hz with thermal overload protector built-in to the winding
- Insulation: F class
- Protection: IP 68

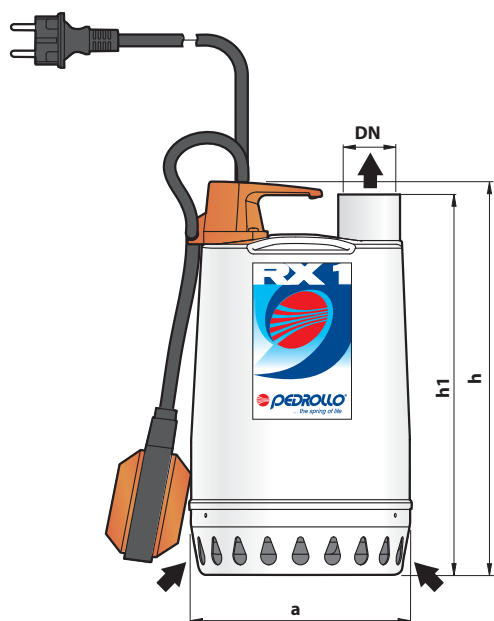
**13 HANDLE ASSEMBLY** (resin sealed)

Complete with:

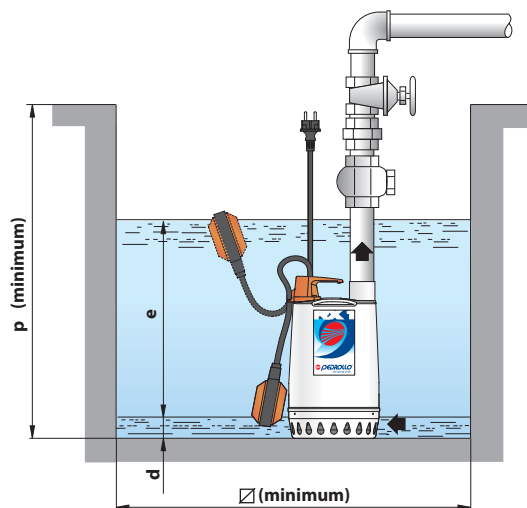
- 5 metre long "H07 RN-F" power cable with Schuko plug
- Float switch.



## DIMENSIONS AND WEIGHT



Typical installation



| MODEL        | PORT<br>DN | DIMENSIONS mm |     |     |    |          |     |     | kg  |
|--------------|------------|---------------|-----|-----|----|----------|-----|-----|-----|
|              |            | a             | h   | h1  | d  | e        | p   | Ø   |     |
| Single-phase |            |               |     |     |    |          |     |     |     |
| RXm 1        | 1 1/4"     | 147           | 255 | 247 | 14 | variable | 350 | 350 | 4.7 |
| RXm 2        |            |               |     | 5.8 |    |          |     |     |     |
| RXm 3        |            |               | 285 | 277 |    |          |     |     | 7.4 |

## ABSORPTION

| MODEL        | VOLTAGE (single-phase) |       |       |
|--------------|------------------------|-------|-------|
|              | 230 V                  | 240 V | 110 V |
| Single-phase |                        |       |       |
| RXm 1        | 1.3 A                  | 1.3 A | 3.0 A |
| RXm 2        | 2.0 A                  | 2.0 A | 5.3 A |
| RXm 3        | 3.6 A                  | 3.6 A | 7.5 A |

## PALLETIZATION

| MODEL        | GROUPAGE |        |     | CONTAINER |        |      |
|--------------|----------|--------|-----|-----------|--------|------|
|              | n° pumps | H (mm) | kg  | n° pumps  | H (mm) | kg   |
| Single-phase |          |        |     |           |        |      |
| RXm 1        | 96       | 1320   | 467 | 162       | 2131   | 776  |
| RXm 2        | 96       | 1320   | 573 | 162       | 2131   | 955  |
| RXm 3        | 96       | 1360   | 727 | 144       | 1970   | 1083 |

